

## Premium Preparation 1200 mm Sink Unit with 1 Bowl - Left Drainer

ITEM # \_\_\_\_\_

MODEL # \_\_\_\_\_

NAME # \_\_\_\_\_

SIS # \_\_\_\_\_

AIA # \_\_\_\_\_


**133106 (LG1216SXEN)**

 Sink Unit, with 1 bowl  
 (600x500x320mm) and left-  
 hand drainer, 1200mm

### Short Form Specification

**Item No.** \_\_\_\_\_

The 50mm high worktop in 304 AISI stainless steel, 1,2mm in thickness, is sound-deadened and has an overflow rim and welded corners. Integral rear upstand, h=100mm, with 10mm radius. All-round apron panelling in 304 AISI s/s.

Round section legs and feet in 304 AISI stainless steel, 50mm in diameter. Height-adjustable feet (+0-50mm).

Single-pressed, sound-deadened bowl mm 600x500x320mm with overflow pipe and drain hole (2"). Left hand drainer inclined towards the bowl.

### Main Features

- Sturdiness, stability and reliability of table accurately tested.

### Construction

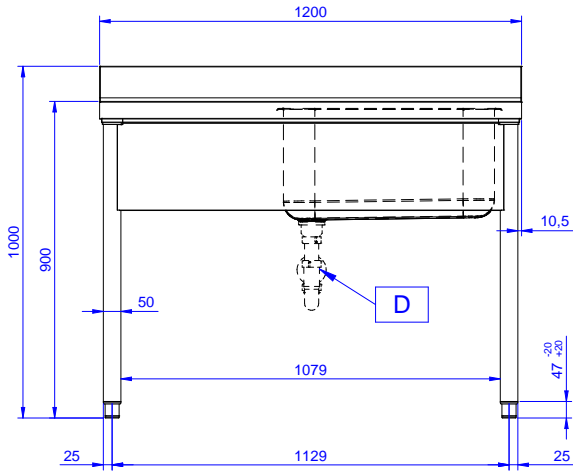
- Round section legs with feet in 304 AISI stainless steel, 50 mm in diameter, adjustable in height by +0/-40 mm.
- 50 mm thick lower shelf, in 304 AISI stainless steel, can be easily slotted into position, 200 mm from the floor.
- Delivered in knock-down package.
- Wide range of taps are available to suit every need.
- Drainage area suitable for drying operations
- 100 mm upstand with 10 mm radiused corner and 13 mm deep, designed to be used against a wall.
- Heavy duty construction entirely in AISI 304 stainless steel to offer maximum durability.

### Optional Accessories

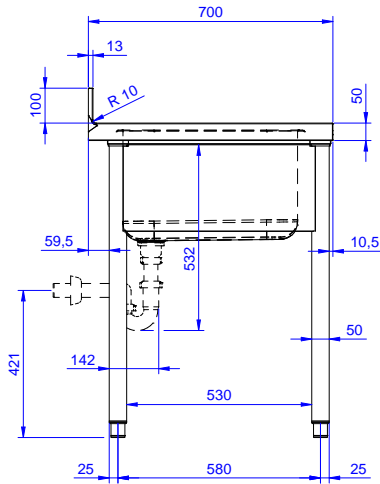
- Lower shelf for 1200mm for units PNC 855282
- Set of 4 wheels (2 with brake) d. 100mm PNC 855288
- 3-sided underframe for 1200mm tables PNC 855290
- Elbow operated mixer tap with spout 3/4", single hole PNC 855322
- Elbow operated mixer tap with short spout 3/4", single hole PNC 855323
- Foot operated mixer tap (hot and cold) with spout 3/4" PNC 855328
- Single plastic drain syphon 2" for Sinks PNC 895313

**APPROVAL:** \_\_\_\_\_

Front

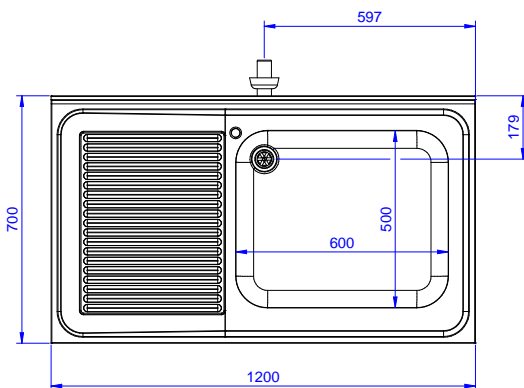


Side



D = Drain

Top





**Electrolux**  
PROFESSIONAL

## Premium Preparation 1200 mm Sink Unit with 1 Bowl - Left Drainer

### Key Information:

External dimensions,  
Width:

133106 (LG1216SXEN) 1200 mm

External dimensions,  
Depth:

700 mm

External dimensions,  
Height:

900 mm

Upstand Dimensions,  
Height:

100 mm

Upstand Dimensions,  
Depth:

13 mm

Upstand Dimensions,  
Radius:

R=10

Bowls number

1

Bowl dimensions

600x500xH320

Worktop thickness:

50 mm

Net weight:

42 kg



Premium Preparation  
1200 mm Sink Unit with 1 Bowl - Left Drainer

The company reserves the right to make modifications to the products  
without prior notice. All information correct at time of printing.

2026.04.04